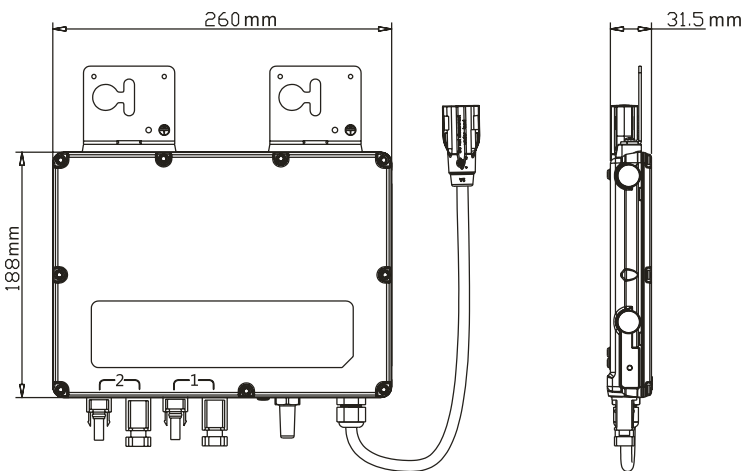


YC600 Microinverter

- Single unit connects two modules
- 2 input channels with independent MPPT and monitoring function
- Peak output power 600VA
- Anti-islanding protection relay integrated
- Adjustable output power factor

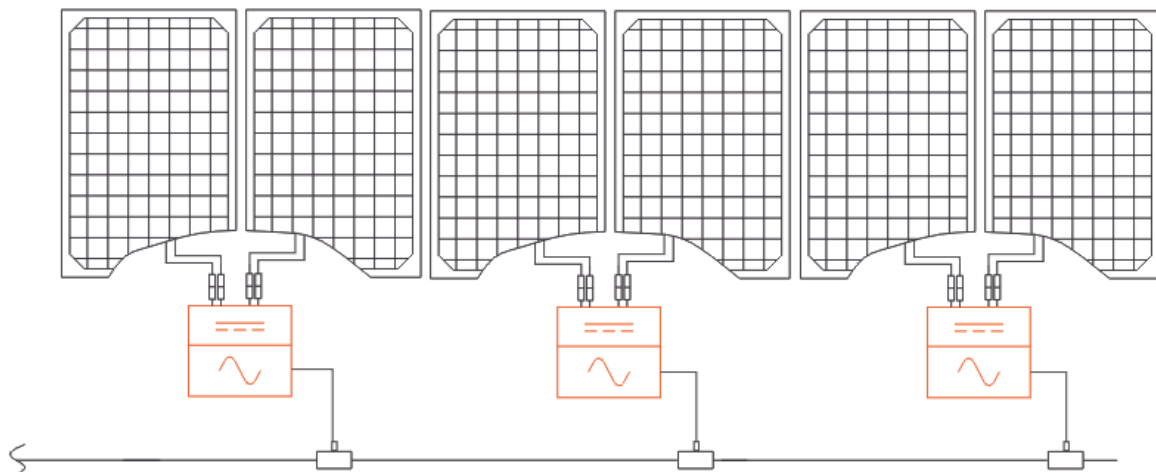
DIMENSIONS



Our flagship new range of Grid-tied microinverters with Reactive Power Control (RPC) features includes the new YC600. The APsystems YC600 is a grid-tied microinverter with intelligent networking and advanced monitoring systems to ensure maximum efficiency. High efficiency, high reliability of the YC600 with 2 independent MPPT inputs, Peak AC output power reaching 600VA. Half the inverters and half the installation means real cost savings for residential and commercial customers.

The QS1 and YC600 microinverters benefit from the same AC cables and accessories allowing, while associating them, a great flexibility on the same installation.

WIRING SCHEMATIC



Datasheet | YC600 Microinverter

Region

EMEA

Model

YC600-EU

Input Data (DC)

Recommended PV Module Power (STC) Range	250Wc-375Wc
MPPT Voltage Range	22V-45V
Operation Voltage Range	16V-55V
Maximum Input Voltage	55V
Maximum Input Current	12A x 2

Output Data (AC)

Maximum Continuous Output Power	550VA
Peak Output Power	600VA
Nominal Output Voltage/Range	230V/184-253V
Adjustable Output Voltage Range	160-278V
Nominal Output Current	2.39A
Nominal Output Frequency/Range	50Hz/48-51Hz
Adjustable Output Frequency Range	45.1-54.9Hz
Power Factor (Adjustable)	0.9 leading...0.9 lagging
Total Harmonic Distortion	<3%

Efficiency

Peak Efficiency	96.7%
CEC Efficiency	96.5%
Nominal MPPT Efficiency	99.5%
Night Power Consumption	20mW

Mechanical Data

Operating Ambient Temperature Range	-40 °C to +65 °C
Storage Temperature Range	-40 °C to +85 °C
Dimensions (W x H x D)	260mm X 188mm X 31.5mm
Weight	2.6kg
AC Bus Maximum Current	20A
Connector Type	MC4 Type or Customize
Cooling	Natural Convection - No Fans
Enclosure Environmental Rating	Outdoor - IP67

Features

Communication (Inverter To ECU)	ZigBee
Transformer Design	High Frequency Transformers, Galvanically Isolated
Monitoring	Via EMA* Software
Warranty	10 Years Standard ; 20 Years Optional

Certificate & Compliance

Safety and EMC Compliance	EN 62109-1; EN 62109-2; EN61000-6-1;EN61000-6-2; EN61000-6-3; EN61000-6-4
Grid Connection Compliance	VDE0126-1-1/A1 VFR2014, ERDF-NOI-RES_13E, VDE-AR-N 4105, RD1699, RD413, EN50438

*Energy Management Analysis

© All Rights Reserved

Specifications subject to change without notice please ensure you are using the most recent update found at web : emea.APsystems.com

European offices

APsystems

Cypresbaan 7, 2908LT, Capelle aan den IJssel, The Netherlands

Tel : 031-10-2582670

Email : emea@apsystems.com

APsystems

Rue des Monts d'Or, ZAC de Follieuses Sud-Les Echets,

01700 Miribel, France

Email : emea@apsystems.com | Tel: +33-4-81 65 60 40

